



ProWood® Project Plan

MAILBOX SNOW PLOW SHIELD

Purchased Materials:

- (2) 4" x 4" x 8' ProWood® ground-contact rated lumber
- (2) 5/4" x 6" x 10' ProWood® deck boards
- (1) Box of #10 x 2-1/2" exterior wood screws

Optional:

- Water sealer

Basic Tools:

- Tape measure
- Carpenter's square
- Circular or miter saw
- 3/16" drill bit (for pre-drilling)
- Power drill with screw driving bit

Optional:

- Impact driver
- Sander or sandpaper (for removing ink stamps on lumber)



prowood®

If your wood project touches or comes near the ground, use pressure-treated lumber that is rated for ground contact to ensure long-term performance.

Cut Wood to Size

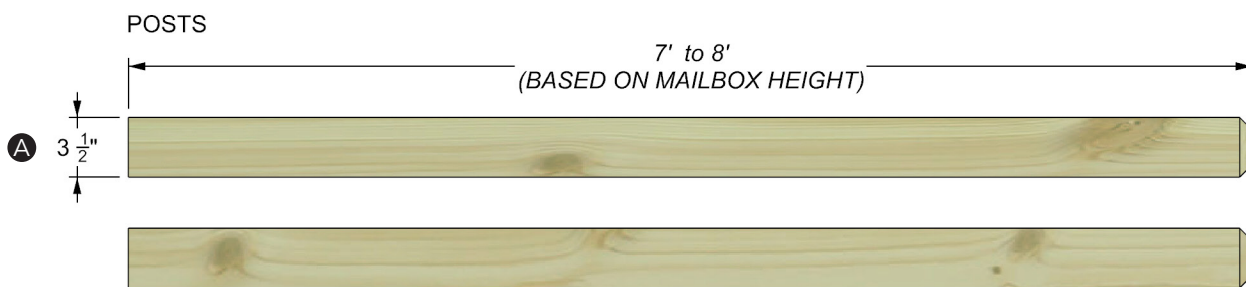
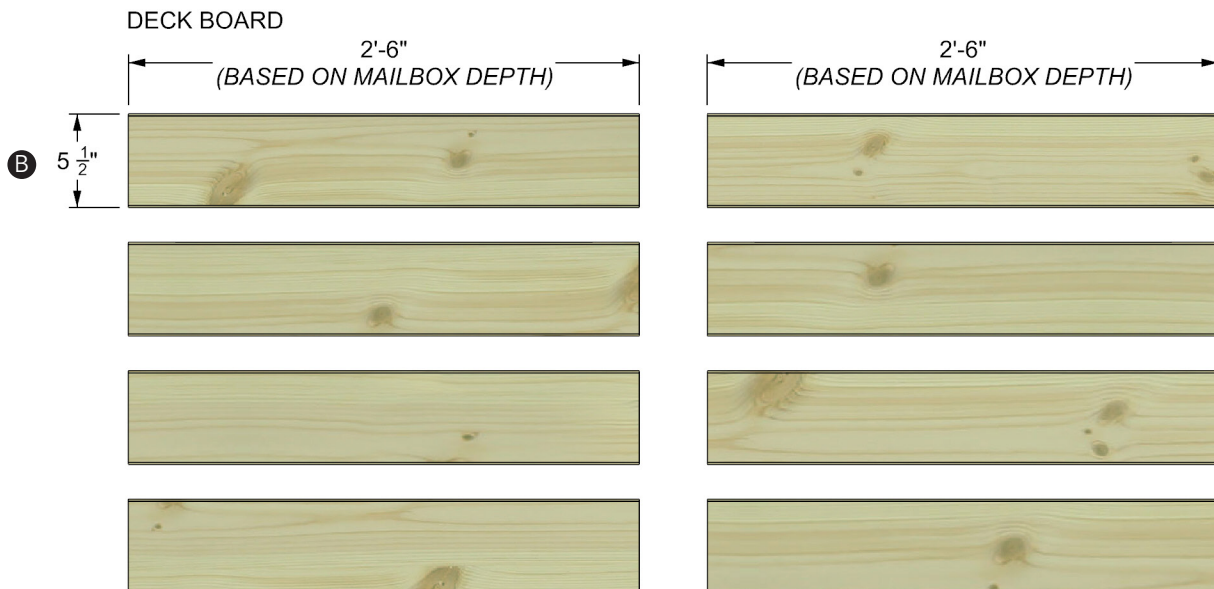
Caution: Always wear gloves, a dust mask and eye protection when sawing, sanding or machining wood. Always use a circular, miter saw or table saw on a clean, flat and level surface.

We recommend only cutting lumber for each sections as you assemble. To save on material, measure and cut previously cut lumber rather than continually cutting from a new board. Lumber has both nominal and actual dimensions, meaning your 4" x 4" post or 5/4" x 5-1/2" board may actually be a slightly different size.

General Assembly Tips

- Establish a screw pattern to enhance the overall look and feel of the final assembled product.
- Pre-drill all screw holes with a drill bit to ease screw insertion and prevent wood splitting.
- Countersink all screws so the head of a countersunk screw, when placed in the hole, will sit flush with the surface of the surrounding material.

ITEM NO.	NAME	QTY.	DESCRIPTION
A	Posts	2	4" x 4" x 84" (based on mailbox height)
B	Boards	8	5/4" x 6" x 30" (based on mailbox depth)
C	Fastener	-	#10 Exterior Wood Screw 2-1/2"



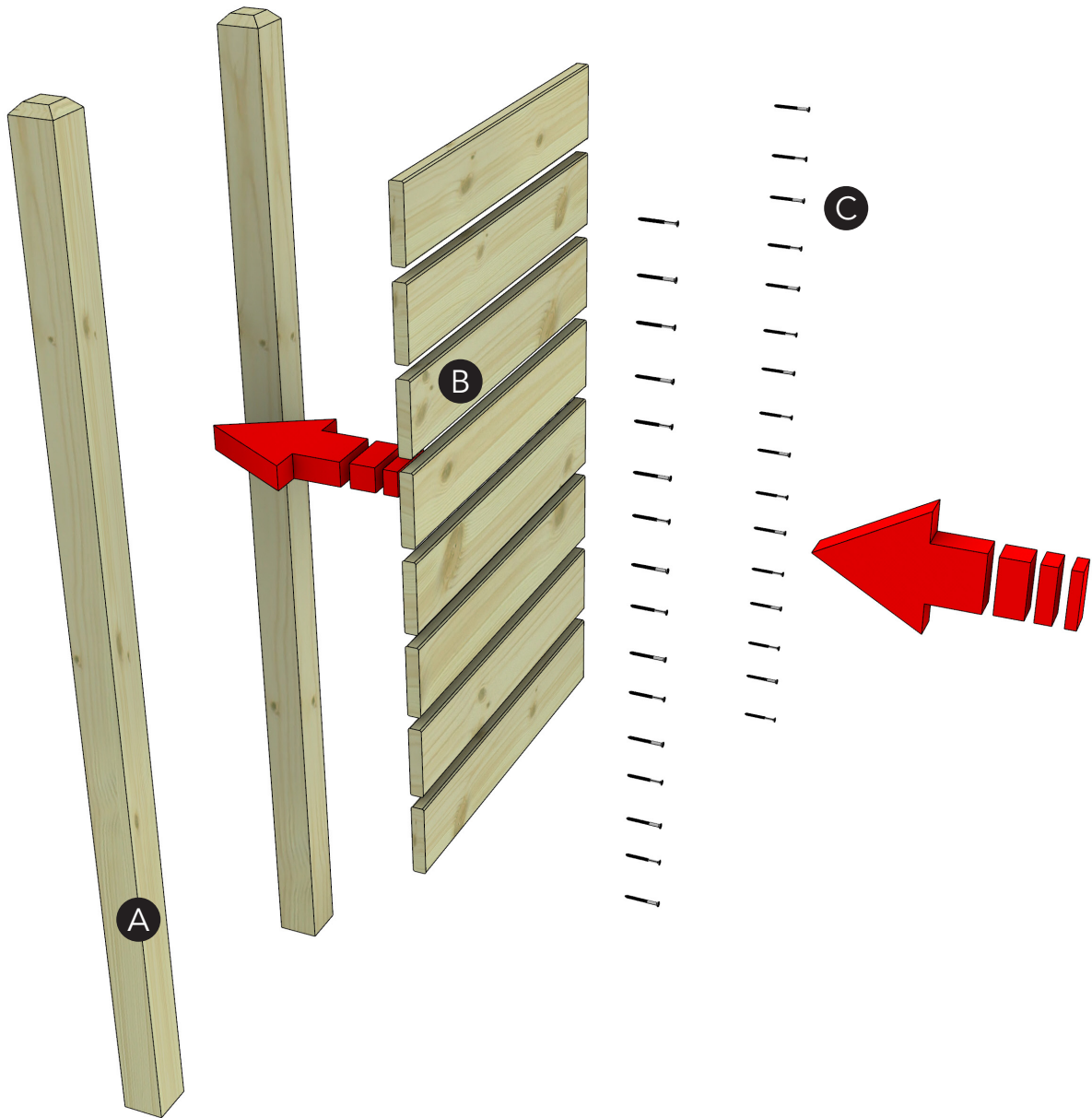


fig. 1

For detailed dimensions, refer to page 6.

Optional: Chamfered Edge on Post

- Measure 3/4" from top of each post and mark with a pencil.
- Place post on flat, level surface and cut at a 45° angle at the mark. Repeat for each side.

STEP 1

Assemble Mailbox Snow Plow Shield

See fig. 2 and fig. 3

- Lay your two (A) posts on a flat, level surface.
- Place your (B) boards over your (A) posts, "crown side down." This means, the curve/arch of the board should face the posts. Your top board should be 1-3/4" from the top of your post. Space each board 1" apart.
- Pre-drill and fasten your (B) boards using (C) fasteners.
- Install immediately, if possible, to ensure posts do not warp.
- **Note:** Check with your local laws and guidelines in regards as to how to secure your posts. Some counties do not allow shields and mailboxes to be cemented into the ground, rather, they must be secured solely by dirt.

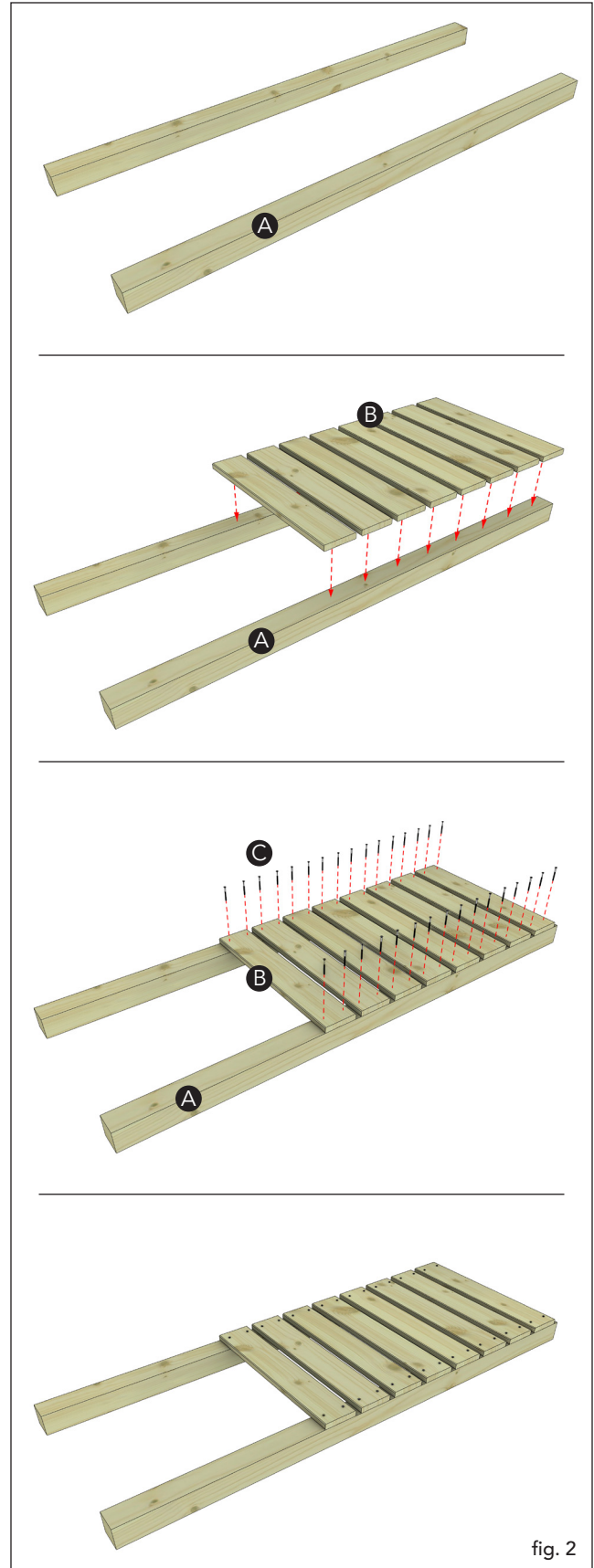


fig. 2



This document is for illustration purposes only. Use of this product must be in accordance with all local zoning and/or building codes. Consumer assumes all risks and liability associated with the use of this product. For details on safe handling, go to UFPI.com/ptinfo. Warrantor does not provide any warranty, either express or implied, and shall not be liable for any damages, including consequential damages. 7094 06/14

More plans available at www.prowoodlumber.com

ProWood is a registered trademark of UFP Industries Inc., in the U.S. ©2021 UFP Industries. All rights reserved.

STEP 1

MAILBOX - SNOW SHIELD

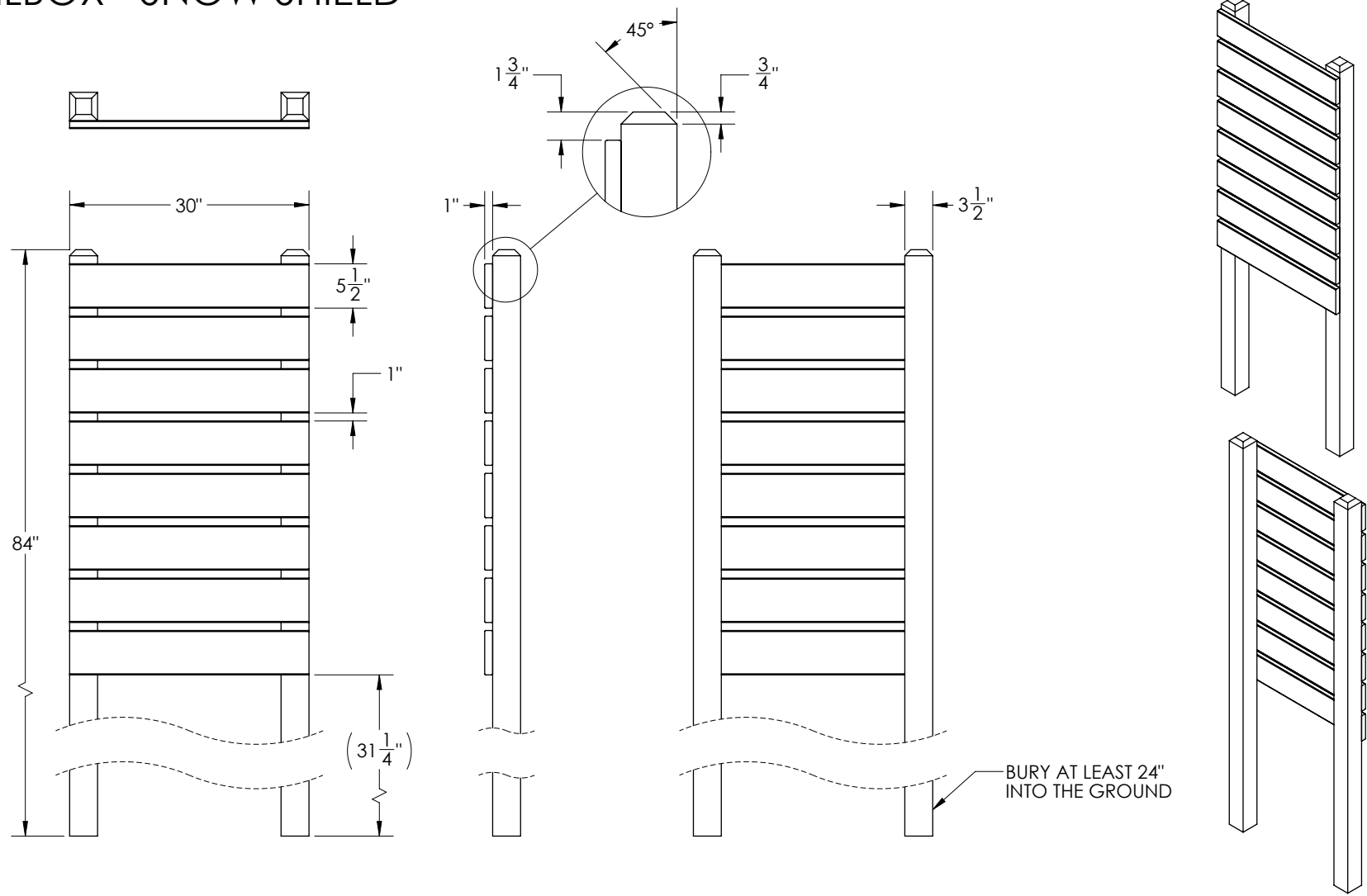


fig. 3