

ProWood® Project Plan

WOOD STORAGE SHED

Purchased Materials:

- (8) 2" x 4" x 12' ProWood® ground-contact rated lumber
- (2) 4" x 4" x 10' ProWood® ground-contact rated lumber
- (2) 1" x 6" x 12' ProWood® deck boards
- (6) 4" x 8" x 16" concrete blocks
- (1) Box of #10 x 3" exterior wood screws
- (1) Box of 3/8" x 4-1/2" exterior lag screws
- (1) 26" x 12' panel of corrugated metal or plastic panel
- Roof fasteners, per manufacturer's installation instructions
- (4) 4x4 Post Anchors
- Post anchor fasteners, per manufacturer's installation instructions
- (5) 4-Pack Deckorail rail brackets (20 brackets total)
- Water sealer (optional)

Basic Tools:

- Tape measure
- Level
- Carpenter's square
- Circular or table saw
- Miter box, compound miter saw or angle square (for angle cuts)
- 3/16" drill bit (for pre-drilling)
- Power drill with screw driving bit
- Spade or small shovel (for leveling ground beneath concrete blocks)

Optional:

- Impact driver
- Rubber mallet (for concrete blocks)
- Sander or sandpaper (for removing ink stamps on lumber)



prowood

If your wood project touches or comes near the ground, use pressure-treated lumber that is rated for ground contact to ensure long-term performance.

Cut Wood to Size

Caution: Always wear gloves, a dust mask and eye protection when sawing, sanding or machining wood. Always use a circular miter saw or table saw on a clean, flat and level surface.

We recommend only cutting lumber for each sections as you assemble. Lumber has both nominal and actual dimensions, meaning your 4"x 4" post, 1" x 5-1/2" deck board or 2" x 4" may actually be a slightly different size.

General Assembly Tips

- Establish a screw pattern to enhance the overall look and feel of the final assembled product.
- Pre-drill all screw holes with a drill bit to ease screw insertion and prevent wood splitting.
- Countersink all screws so the head of a countersunk screw, when placed in the hole, will sit flush with the surface of the surrounding material.

ITEM NO.	NAME	QTY.	DESCRIPTION
A	Concrete Blocks	6	4" x 8" x 16"
B	Base Joist	7	1-1/2" x 3-1/2" x 19"
C	Base Rim Joist	2	1-1/2" x 3-1/2" x 71"
D	Decking	4	1" x 5-1/2" x 72"
E	Post Anchor	4	Fits a 4" x 4" wood post
F	Front Post	2	3-1/2" x 3-1/2" x 60"
G	Rear Post	2	3-1/2" x 3-1/2" x 56"
H	Rail Brackets	20	Deck railing connector
I	Side Rails	10	1-1/2" x 3-1/2" x 12"
J	Back Rails	5	1-1/2" x 3-1/2" x 68"
K	Roof Joist	7	1-1/2" x 3-1/2" x 28"
L	Roof Rim Joist	2	1-1/2" x 3-1/2" x 71"
M	Roof Strips	11	Provides support for the Corrugated Panel
N	Corrugated Panel	4	26" x 32"
O	General Fasteners	-	#10 x 3" Exterior Wood Screw
P	Post to Roof Fasteners	-	3/8 x 4-1/2" Lag Screw
Q	Post Anchor Fasteners	-	Per Post Anchor Installation Instructions
R	Roof Fastener	-	Per Corrugated Panel Installation Instructions

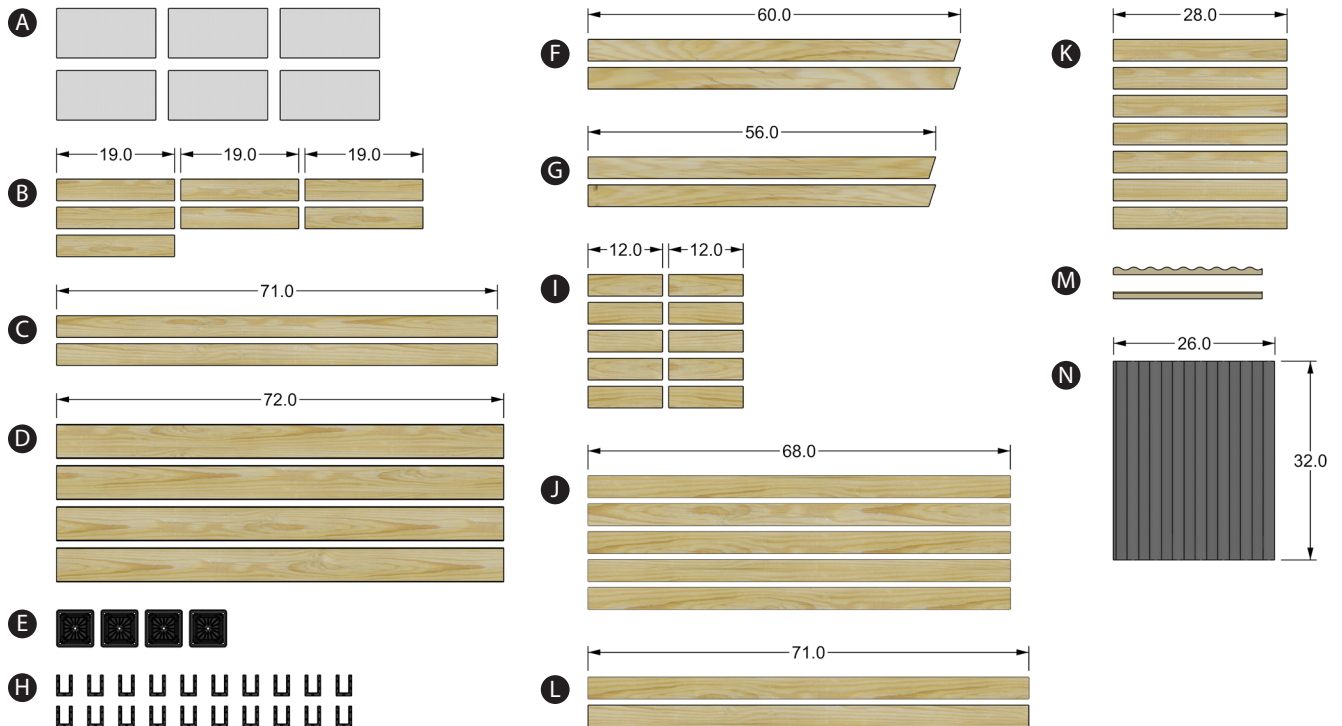




fig. 1

For detailed dimensions, refer to pages 9 and 10.

STEP 1

Lay and Level Concrete Blocks

See fig. 2 and fig. 12

- Lay each of your six (A) concrete blocks on flat, solid ground.

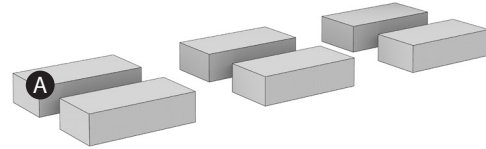


fig. 2

STEP 2

Build Your Platform Base

See fig. 3 and fig. 13

- Predrill your (C) boards to align with the (B) joists.
- Using your (O) fasteners, screw through each of the (C) boards into the (B) joists.
- Place your platform base onto your concrete blocks.

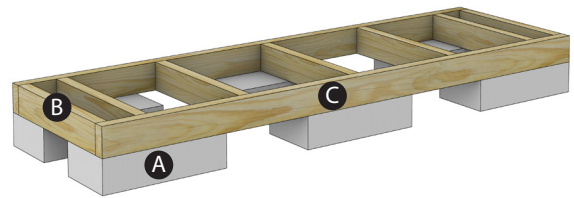


fig. 3

STEP 3

Install the Deck Boards

See fig. 4 and fig. 14

- Lay down each of the four (D) deck boards onto the platform base frame.
- With your boards spaced evenly and in place, predrill your (D) deck boards.
- Using (O) fasteners, install the (D) boards, fastening to each (B) joist.
- Ensure that your base is level before continuing to the next step.

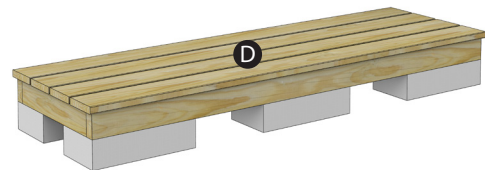


fig. 4

STEP 4

Attach Post Anchors

See fig. 5 and fig. 15

- Follow the individual instructions included with your (E) post anchor. For easier fastening, lay down each (G) and (F) post on a flat surface to install each anchor.
- Position your assembled (G) and (F) posts on the platform base.
- Test fit your (I) side rail in between each (G) and (F) post prior to fastening onto the platform base.
- Pre-drill and fasten each (G) and (E) post to the platform base using (Q) fasteners, per manufacturer's installation instructions. Ensure fasteners align with the (B) and (C) joists beneath the deck boards.

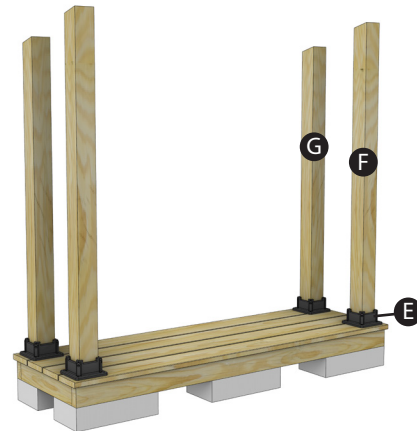


fig. 5

STEP 5

Install Side Brackets

See fig. 6 and fig. 16

- Follow individual instructions provided with your (H) railing brackets.
- Using the U-shaped notch located at the top of the (E) post anchor, position and nest the first (H) bracket directly above the (E) post anchor and fasten into place.
- Position your (I) side rail in between your posts, nesting into each of the attached (H) brackets. Ensure your rail is level before fastening.
- Using the provided fasteners with your (H) bracket, install the bottom (I) rail into the bracket.
- Continuing upward, use a scrap piece of 2" x 4" as a spacer, placed on top of your bottom rail.
- Fasten each (H) bracket and (I) rail to your (G) and (E) posts. Continue until both sides are complete.

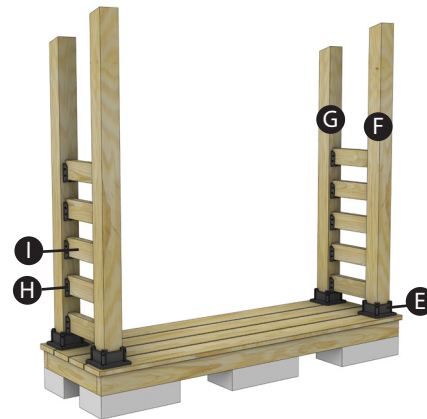


fig. 6

STEP 6

Install Back Rails

See fig. 7 and fig. 16

- Pre-drill each of your (J) boards. Each board will have two holes per end.
- Position your (J) board to align with your (I) side rails. Ensure your rail is level. Fasten using (O) fasteners.
- Using a scrap piece of 2" x 4" as a spacer, continue to fasten each (J) board using (O) fasteners to the (G) posts.



fig. 7

STEP 7

Cut and Fasten Exterior Joists

See fig. 8 and fig. 17

- Position, center and align the tops of the outer-most (K) joist to the outer side of your (G) and (F) posts.
- Predrill four holes on the (K) joist.
- Fasten with (P) fasteners, two per each end into your (G) and (F) posts. Repeat for the other side.
- Align your front (L) rim joist with the two attached (K) joists.
- Predrill four holes, two per end, aligning the holes with your (K) joists.
- Fasten the (L) joist with four (O) fasteners, two per end into the (K) joists. Repeat for the back (L) rim joist.



fig. 8

STEP 8

Install Exterior Corrugate Roofing Strips

See fig. 9

- Position (M) corrugate roofing strips prior to placing interior (K) joists for proper alignment.
- Position and center the (M) corrugate roofing strips onto the top of the front (L) rim joist.
- Follow individual installation instructions provided with your (M) roofing strips and (N) corrugate roofing panel. Fasten with recommended (R) fasteners. Do not over torque.
- Position and center the (M) corrugate roofing strips on to the back (L) rim joist. Ensure the grooves align with your front (M) roofing strips. Fasten with recommended (R) fasteners. Do not over torque.
- Cut any excess (M) roofing strips.

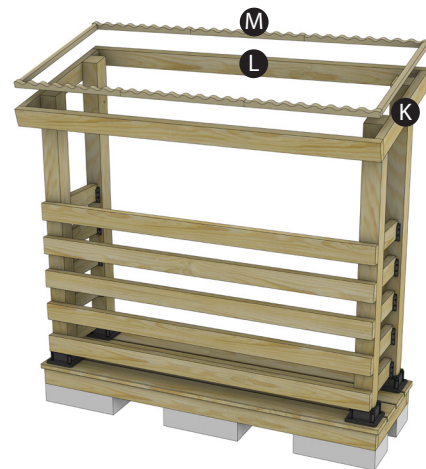


fig. 9

STEP 9

Install Interior Roof Joists & Interior Corrugate Roofing Strips

See fig. 10 and fig. 17

- Position and center the interior (K) joists to the inner-side of your (G) and (F) posts.
- Predrill and fasten the (K) joist with two (P) fasteners, one per end to the (G) and (F) posts. Repeat for the other side.
- Position, predrill and fasten the next three interior (K) joists using (O) fasteners to the two (L) rim joists, centered with the crowns of the strips
- Position and fasten your interior (M) corrugate roofing strips using the (R) roofing fasteners.

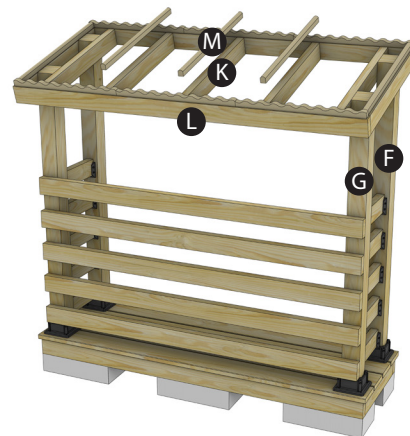


fig. 10

STEP 10

Install Corrugate Roofing

See fig. 11 and fig. 18

- Position the four pieces of (N) corrugate roofing over the (M) corrugate roofing strips. Each piece should overlap 2-3 crowns to ensure water drainage from roof does not reach your interior joists. Your roofing should have a 1/2" overhang on both ends.
- Follow individual installation instructions provided with your (M) roofing strips and (N) corrugate roofing. Fasten with recommended (R) fasteners. Do not over torque.



fig. 11

STEP 11

Cleanup and Disposal

- If desired, use a sander to remove any ink stamps from your lumber using sandpaper or a sander.
- Dispose of any unused lumber properly. Follow ProWood disposal guidelines.
- Apply a water sealer to your finished product once per year or as needed.



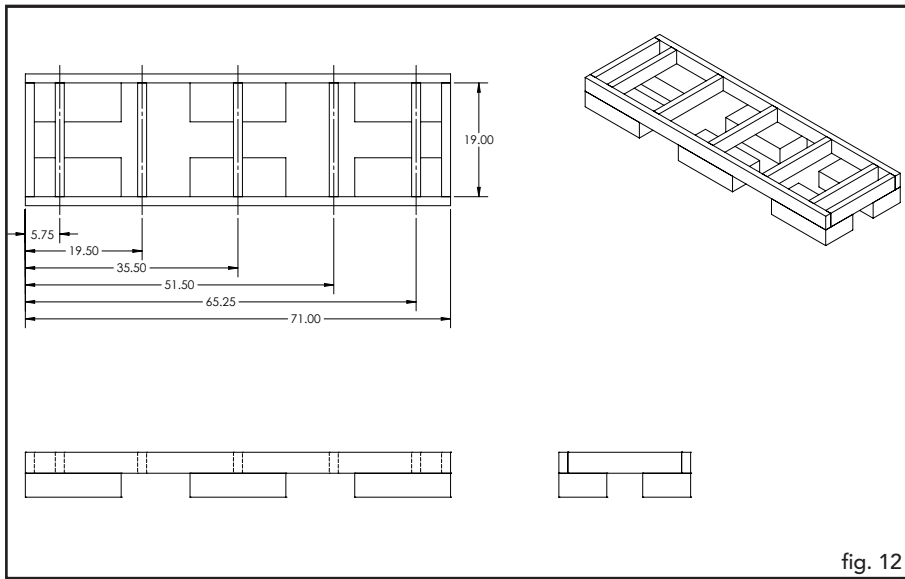


This document is for illustration purposes only. Use of this product must be in accordance with all local zoning and/or building codes. Consumer assumes all risks and liability associated with the use of this product. For details on safe handling, go to UFPI.com/ptinfo. Warrantor does not provide any warranty, either express or implied, and shall not be liable for any damages, including consequential damages. 7094 06/14

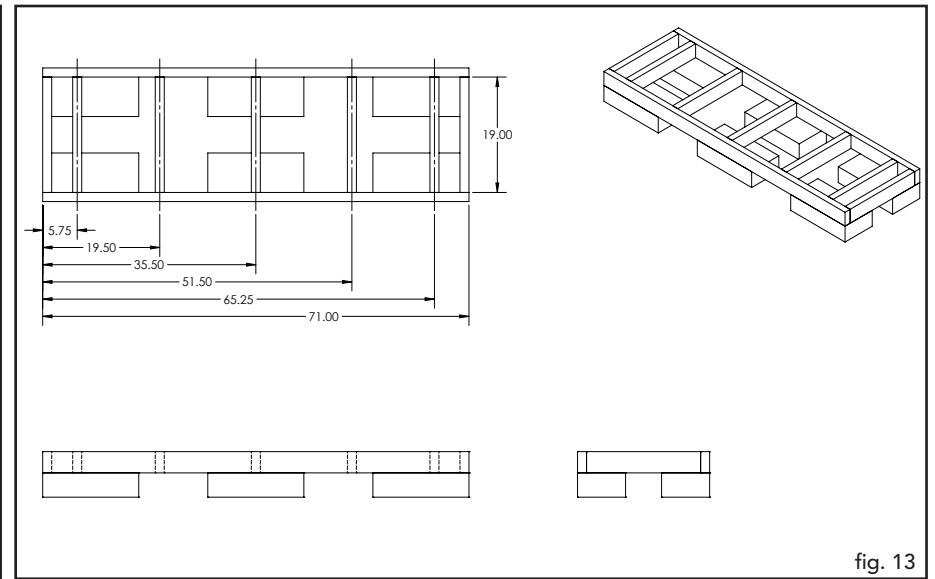
More plans available at www.prowoodlumber.com

ProWood is a registered trademark of UFP Industries Inc., in the U.S. ©2021 UFP Industries. All rights reserved.

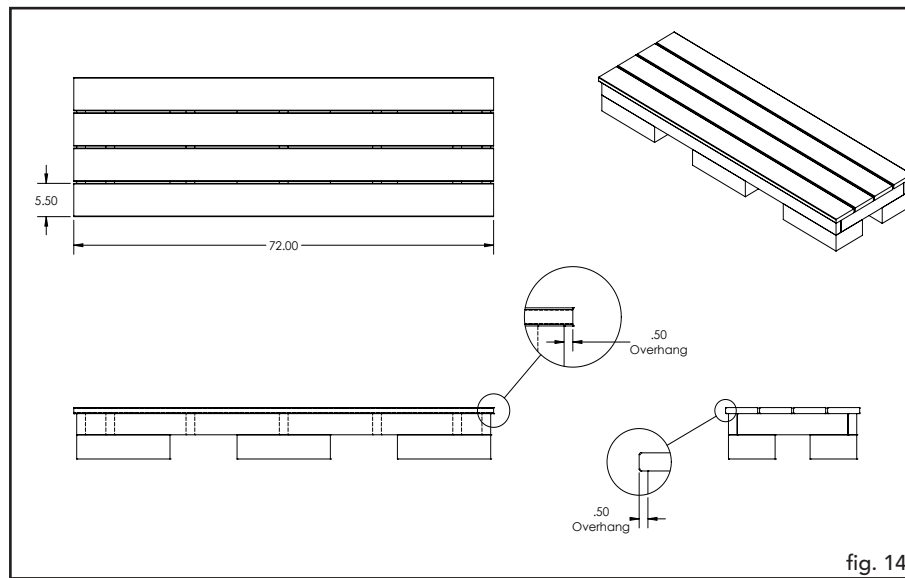
STEP 1



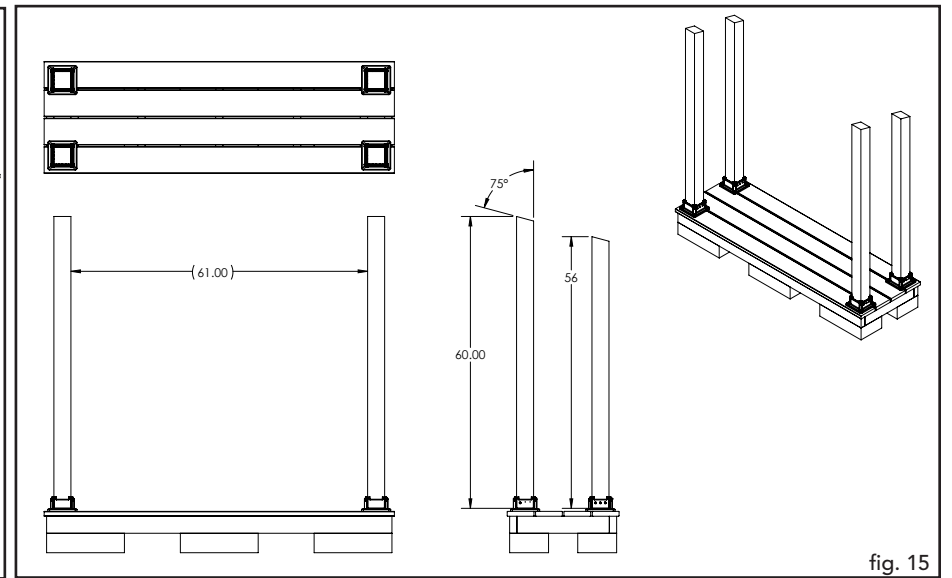
STEP 2



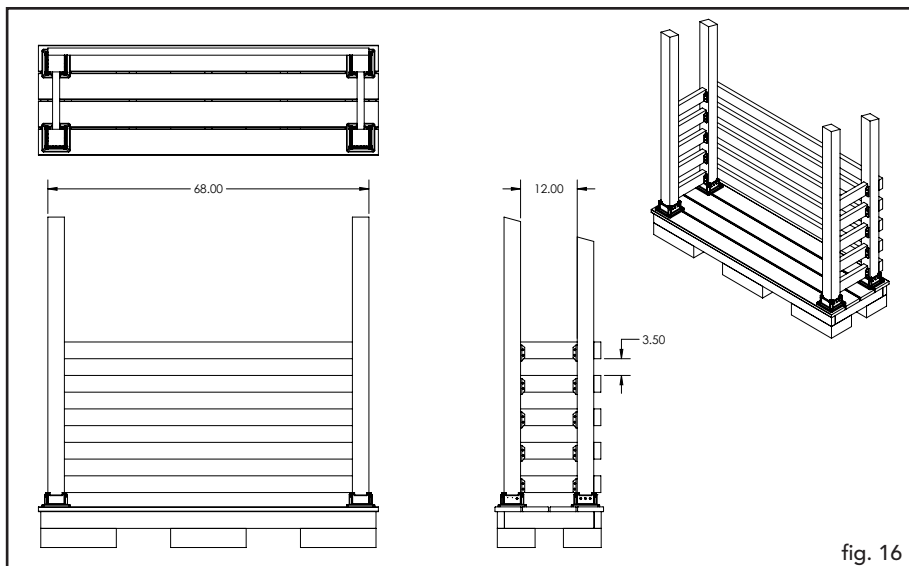
STEP 3



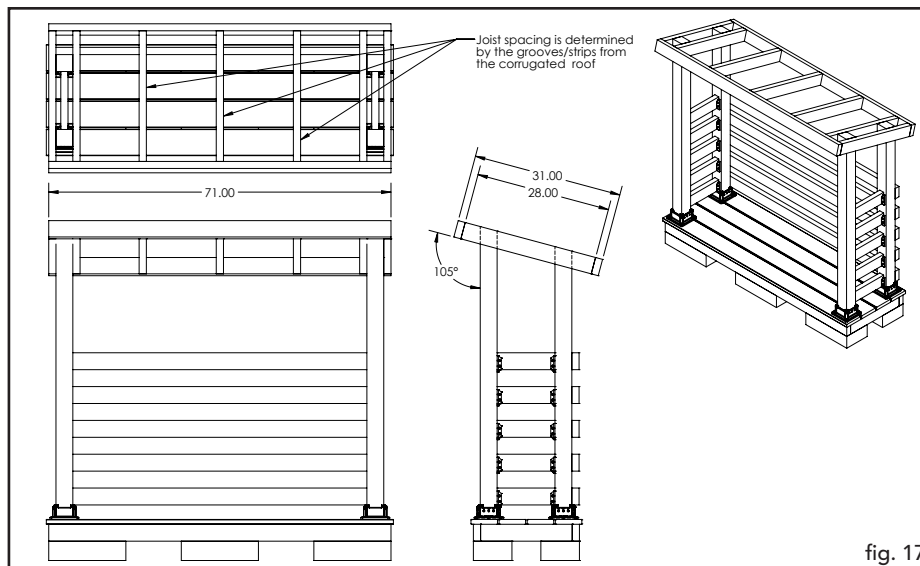
STEP 4



STEP 5 & 6



STEP 7, 8 & 9



STEP 10

